



User Manual

ATC-106

RS-485/232 converter

CHIYU TECHNOLOGY CO., LTD
<http://www.chiyu-t.com.tw>
TEL:886-5-2835460 886-2-25491289

Description

ATC-106 can convert the data from RS-232C to half duplex RS-485 signal. It doesn't need additional power supply and can get the power directly from PC side. By its "Automatic Send Data Line Control" function, you don't need to use RTS, just plug it and no need to install any hardware or software and work well under RS-485 communication.

Specification

1. Port: RS-232C and RS-485
2. Max. Baud Rate:

Distance	Baud Rate
3M	115.2Kbps
1200M	19.2Kbps
2400M	9600bps
3KM	2400bps

3. Max. distance: 5KM(1200bps)
4. Size: 88mmx33mmx17mm
5. Operation Temp.: 0-70°C
6. Operation Humidity: 5%-95%

PIN Description

RS-232C

DB9 Female(PIN)	RS-232C(DCE)
1	DCD
2	TD
3	RD
4	DTR
5	GND
6	DSR
7	RTS
8	CTS

RS-485

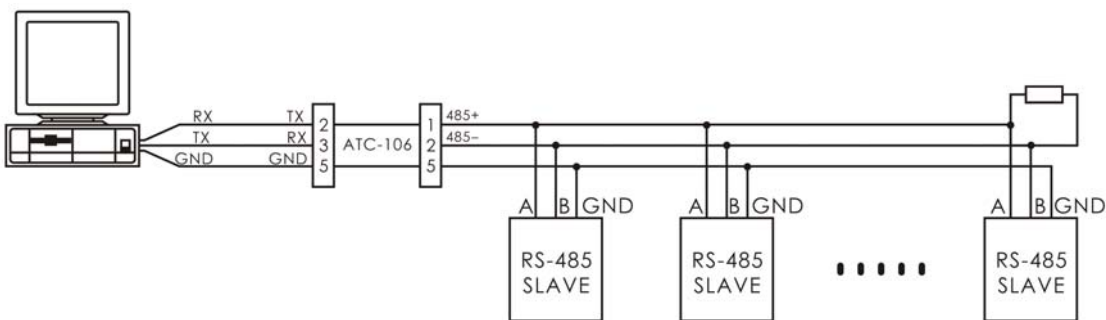
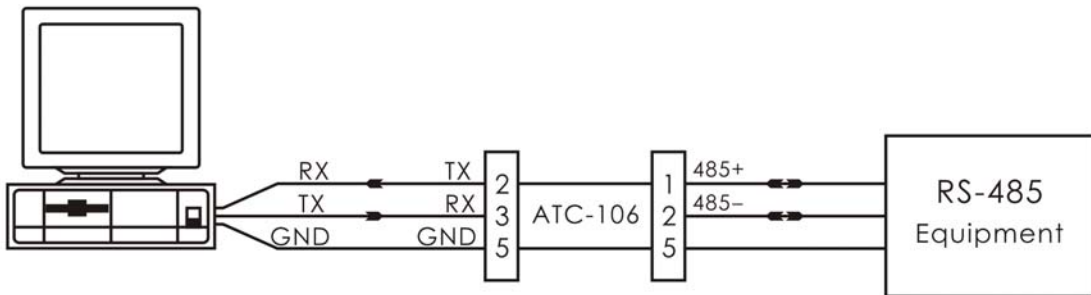
DB9 Male(PIN)	RS-485
1	485-
2	485+
3	GND

Installation:

Power: it could get power from RS-232(DB9 TXD, DTR, RTS), but the voltage must higher than 5V, or put the 5-12V power into the screw terminal that in the package.

Max. No. for RS-485 device:

It can be connected with 32(MAX.) RS-485 devices and need to add the terminal resistance (120ohm, 1/4W) to prevent the noise.



Trouble shooting :

1. Communication Error

A. Check RS-232 port

B. Check RS-485 port

C. Check the power supply must between +5~+12V

2. Data lose

A. Please check the baud rate to be the same in both side.