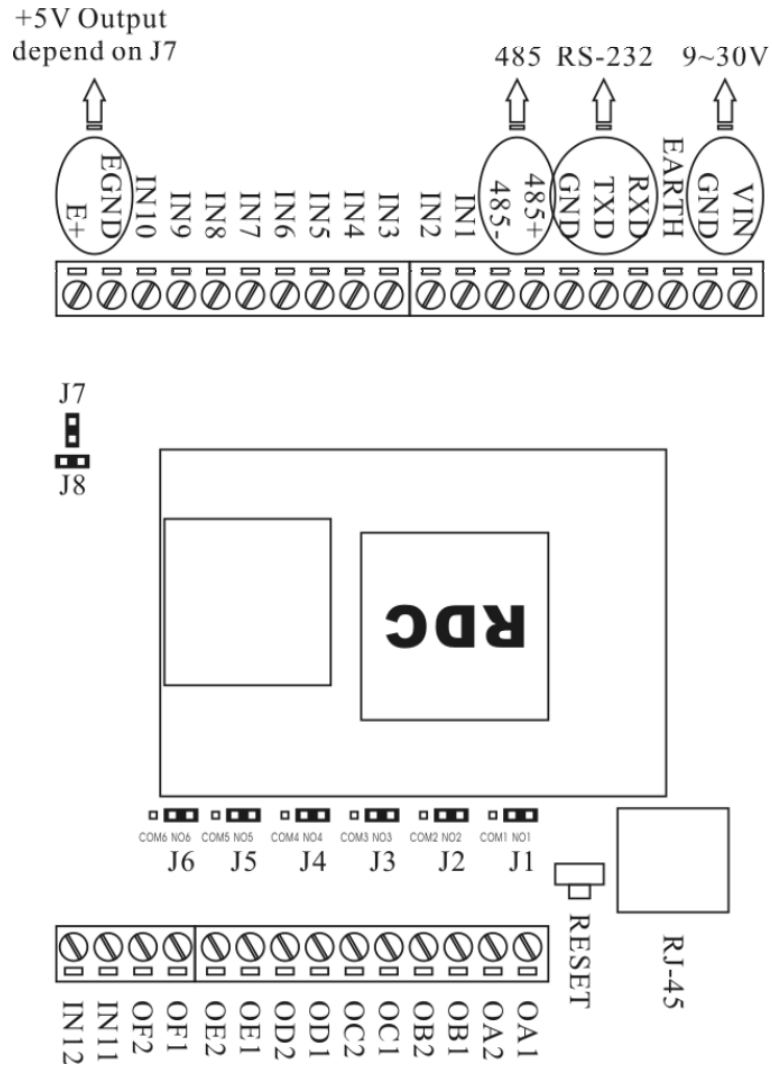


BF-2300 I/O Description

1. Jumps description :



IN1 ~ IN12 : Dry connector of digital input

OA1/OA2 ~ OF1/OF2 : Dry connector of digital output

J7 : Switch jump of E+/EGND. If short then E+/EGND has +5V voltage output.

J1 ~ J6 : Switch jumps of output. If mid pin and NO1 pin are shorted then the output of dry connectors are COM & NO (Normal open). If mid pin and COM1 pin are shorted then the output of dry connectors are COM & NC (Normal close).

2. OUTPUT: Relay output that includes COM & NO or COM & NC dry connector that

depend on jumps setting

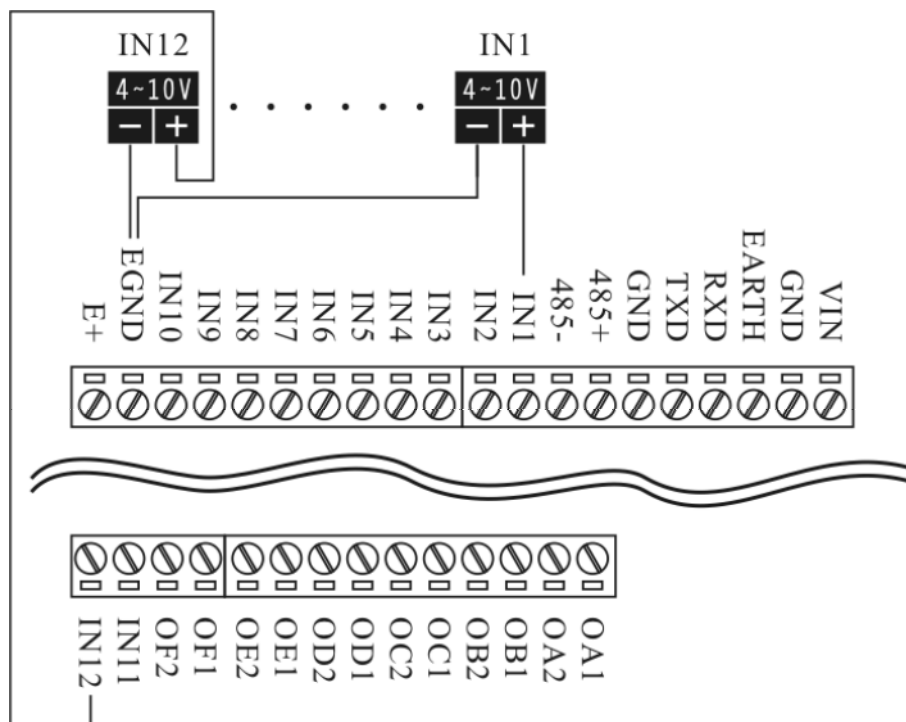
Output value: 1.0A 30DC
0.5A 125VAC
0.3A 60VDC

2. INPUT: can be active by the change value of voltage.

A. External Voltage active : **J7 must be open**

Connect 4.0 — 10V DC voltage (+) to IN1 ~ IN12

Connect voltage (-) to EGND



B. Dry connector (Internal Voltage active) : **J7 must be short**

Connect one dry connector to IN1 ~ IN12 another dry connector to E+

